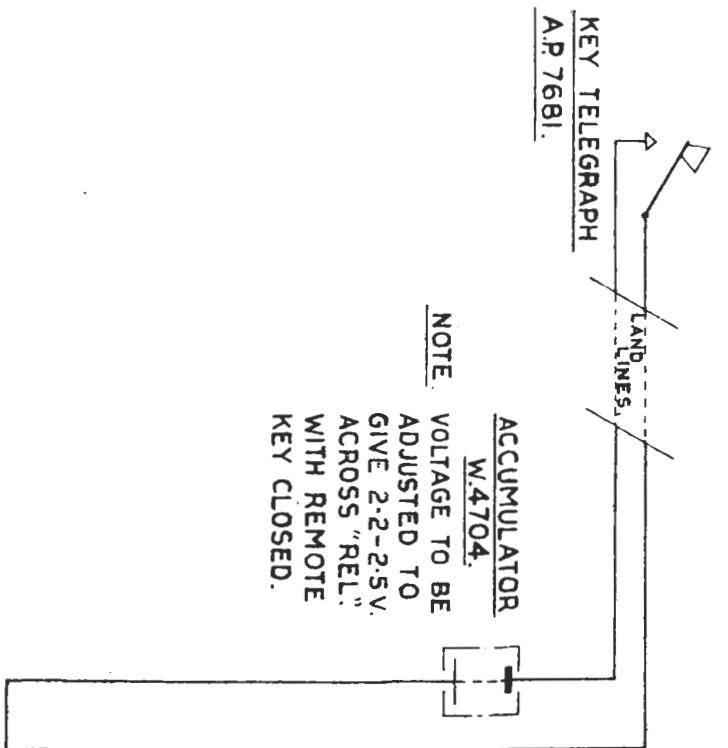
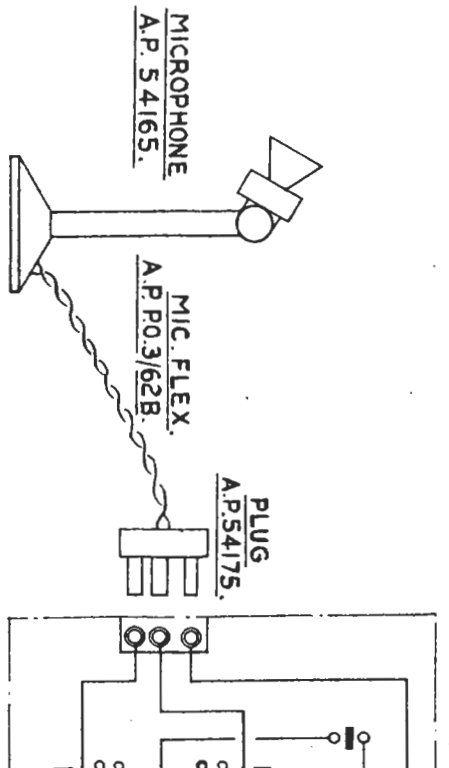
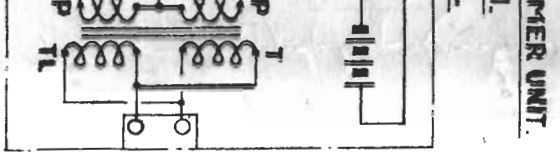


MIC. TRANSFOR
DESIGN I
A.P. 53911



NOTE VOLTAGE TO BE
ADJUSTED TO
GIVE 2-2-2.5V.
ACROSS "REL."
WITH REMOTE
KEY CLOSED.

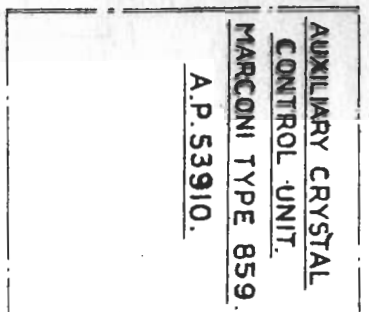


POWER UNIT.

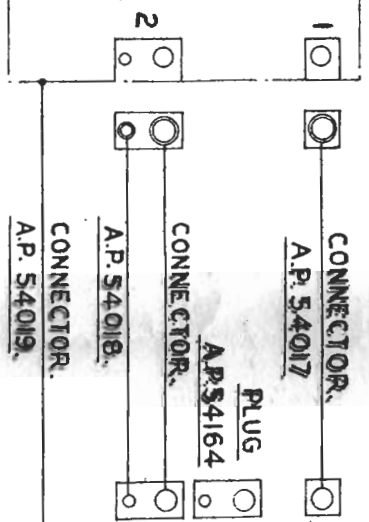
TAGS AP.2396.

LAND LINES.

FLEX. 40/0076 A.P.2285A.

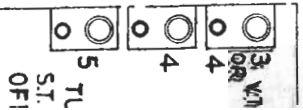


AUXILIARY CRYSTAL CONTROL UNIT.
MARCONI TYPE 859.
A.P. 53910.



CONNECTOR.
A.P. 54017
PLUG
A.P.54164
CONNECTOR.
A.P. 54018.
CONNECTOR.
A.P. 54019.

PLUG TYPE 217
A.M. REF. 10H/451.

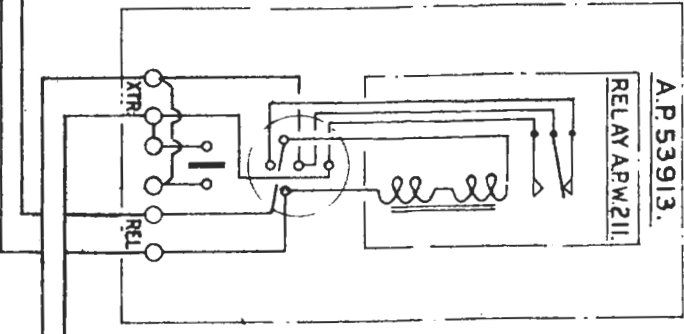


SOCKETS 1

CONNECTOR AP.54166.
C01

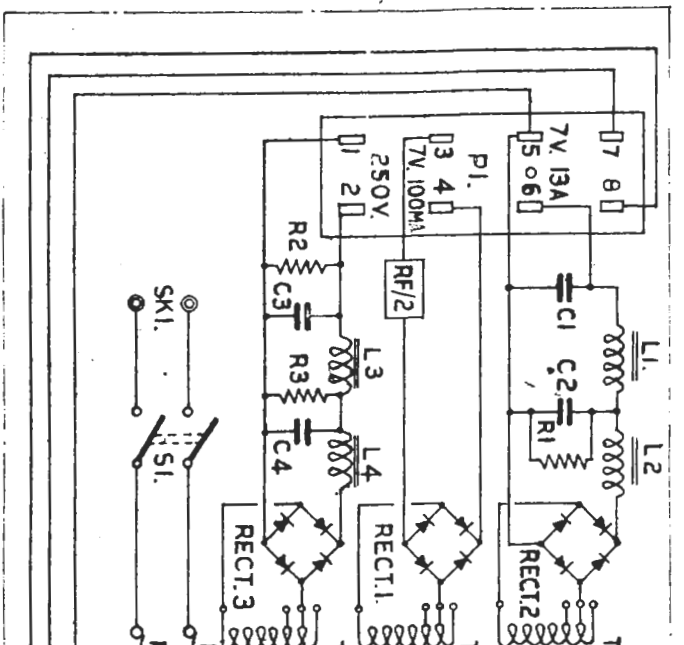
CONNECTOR 543/7 A.M. REF. 10
HOT

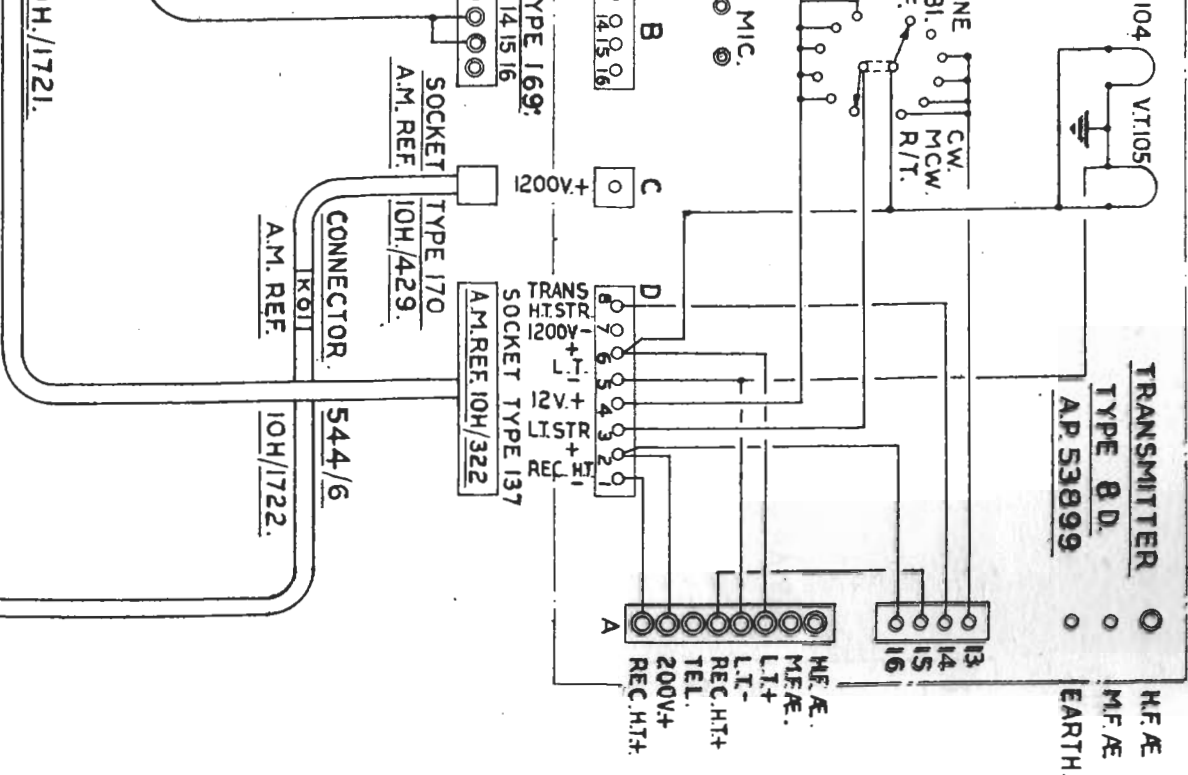
SWITCH & RELAY UNIT DES:2.



A.P.53913.
RELAY APW.211.

SOCKET TYPE 174.
A.M. REF. 10H/424.





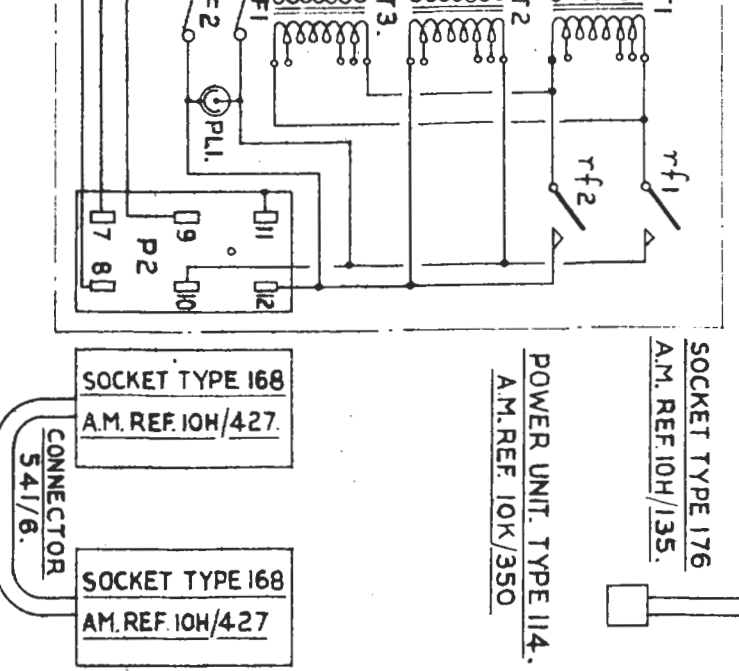
TRANSMITTER
TYPE 8 D.
A.P. 53899

ME.Æ
M.F.Æ
EARTH.

PLUG, TYPE 161 A.M. REF. 10H/184.
CONNECTOR
A.P. 54163.
SOCKET, TYPE 135, A.M. REF. 10H/319.

CONNECTOR TYPE 548/1.
REF. 10H/1718.

THESE SUPPLIES ARE
NOT REQUIRED
FOR THIS INSTALLATION.
PLUG TYPE 210.
REF. 10H/434.
USED AS DUMMY.



SOCKET TYPE 176
A.M. REF. 10H/135.

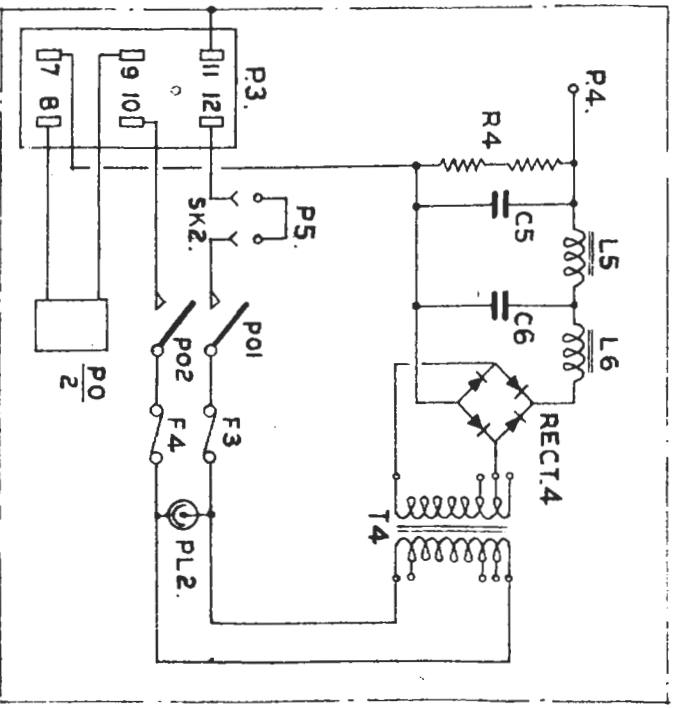
POWER UNIT, TYPE 114.
A.M. REF. 10K/350

SOCKET TYPE 168
A.M. REF. 10H/427.

SOCKET TYPE 168
A.M. REF. 10H/427

CONNECTOR
541/6.

A.M. REF. 10H/1719



A.M. REF. 10H/1719